

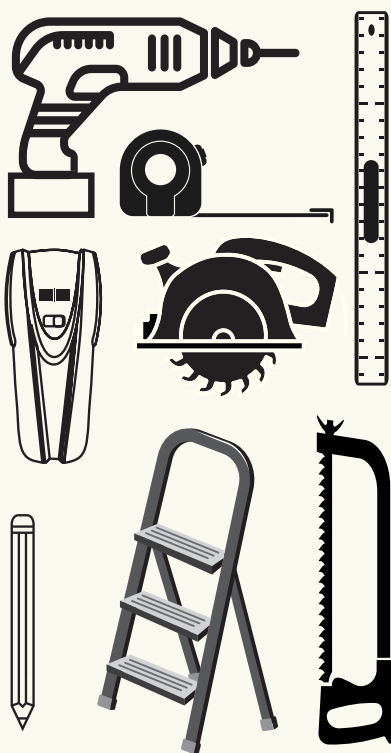


**Let's
Get
Started**

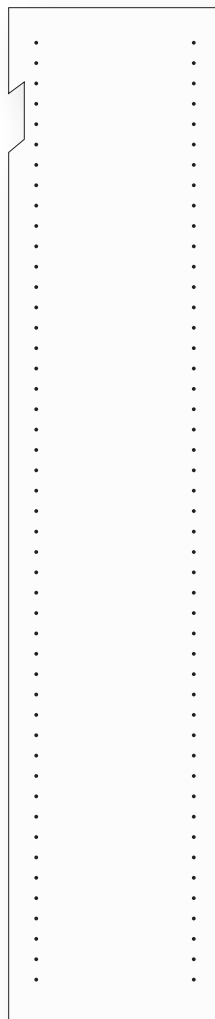
Installation Guide

Tools Needed

The basic tools you will need are a power drill and phillips bit, level, pencil, measuring tape, stud finder, hacksaw, a step stool and a circular saw.



Parts Included



Part B
Uprights, Left & Right (2)



Part C
Ends, Left & Right (2)



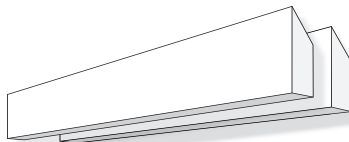
Part E
Shelves (2)



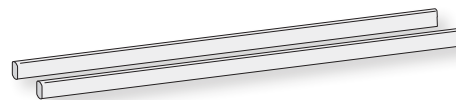
Part D
Drilled Shelves (3)



Part F
Non-Drilled Shelves (3)



Part A
Cleats (2)



Part G
Closet Rods (4)



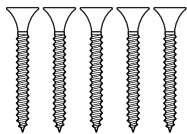
Part O
Fastcaps (10)



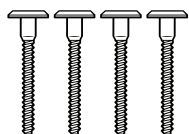
Warning

This Closet System contains small parts that are a choking hazard. Not intended for children under 3 years old.

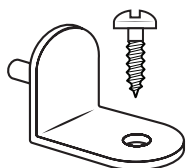
Hardware Included



Part H
3" Wood Screws (10)



Part J
Center Shelf Bolts (12)



Part K
Shelf Supports (8)

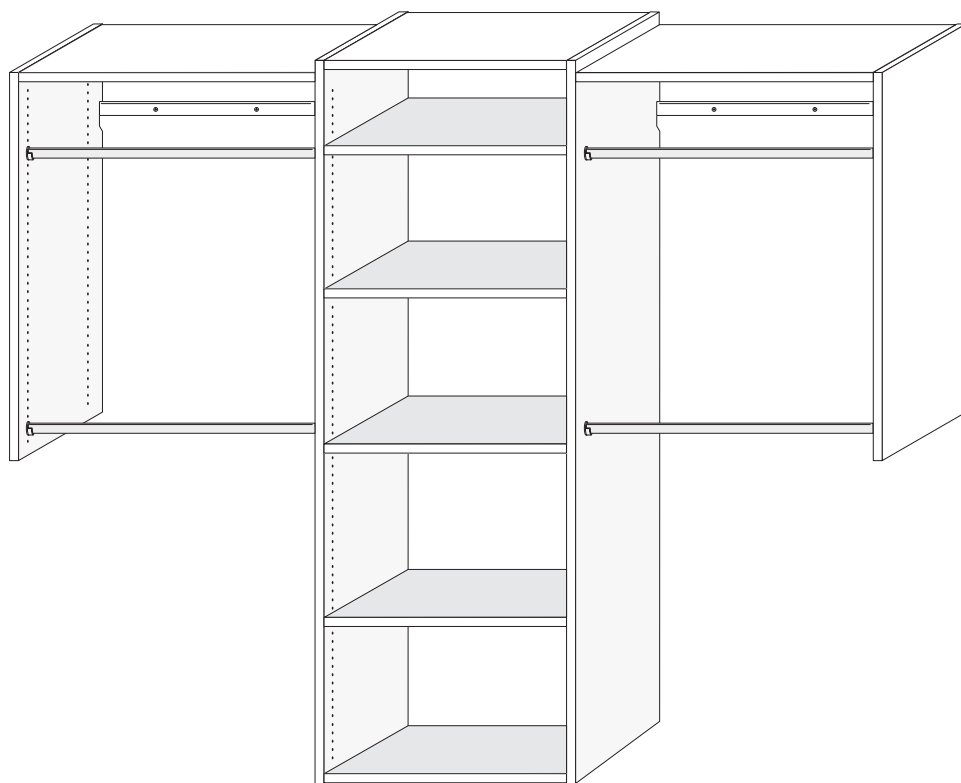


Part M
Shelf Pins (12)



Part N
Closet Rod Holders (8)

Part L
Shelf Support Screws (8)



A Complete Closet System

This system is to be installed using the cleat system. It must be installed using the steps and method outlined in the installation directions.

Failure to follow these steps could result in an improperly installed unit.

This could cause it to collapse or fall off the wall, resulting in bodily harm and/or damage to other belongings.

- **Do not step or climb on closet unit.**
- **Do not overload shelving or closet unit.**



Overloading unit could cause unit to fall, resulting in injury or damage to belongings.

Step One

Decide the height to hang the back cleat (Part A).

We recommend hanging the cleat's top edge 80" from the floor of your closet. Depending on the height of your closet, you can increase this dimension. This allows for hanging two rows of clothes.

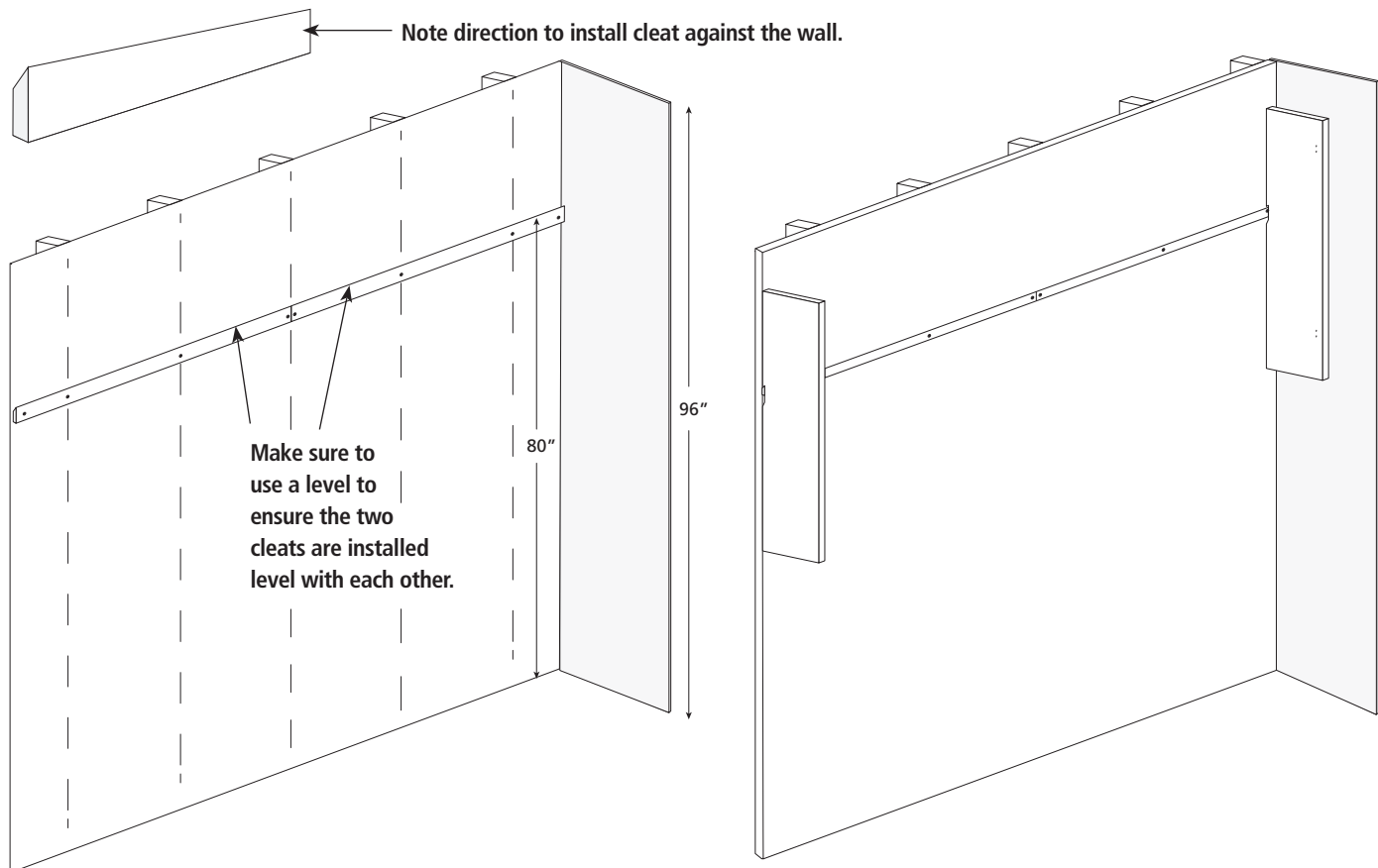
Use a stud finder to locate studs in the back wall of your closet. Mark wall (see illustration below). Pre-drill pilot holes in cleats to align with studs before attaching. Attach the cleat to the wall beginning from the left using wood screws (Part H). Locate at least three studs for each section of cleat. Wall anchors can be used in addition, if desired (not included).

After attaching the first four-foot section of cleat to the wall, measure the second cleat to fill the opening. Cut with a circular saw to desired length. Attach securely to the back wall as with the previous cleat. Make sure to anchor to 3 studs (Part H).

Step Two

Attach side panels to the side walls of your closet (Part C).

Start by hanging one left and one right side panel on the cleat against the side walls. Hang the panels with the holes to the inside facing the tower previously installed (See diagram). Using (Part H), attach the panel to the side wall. Pre drill a hole to align with a stud in the wall. Attach with wood screws (Part H).

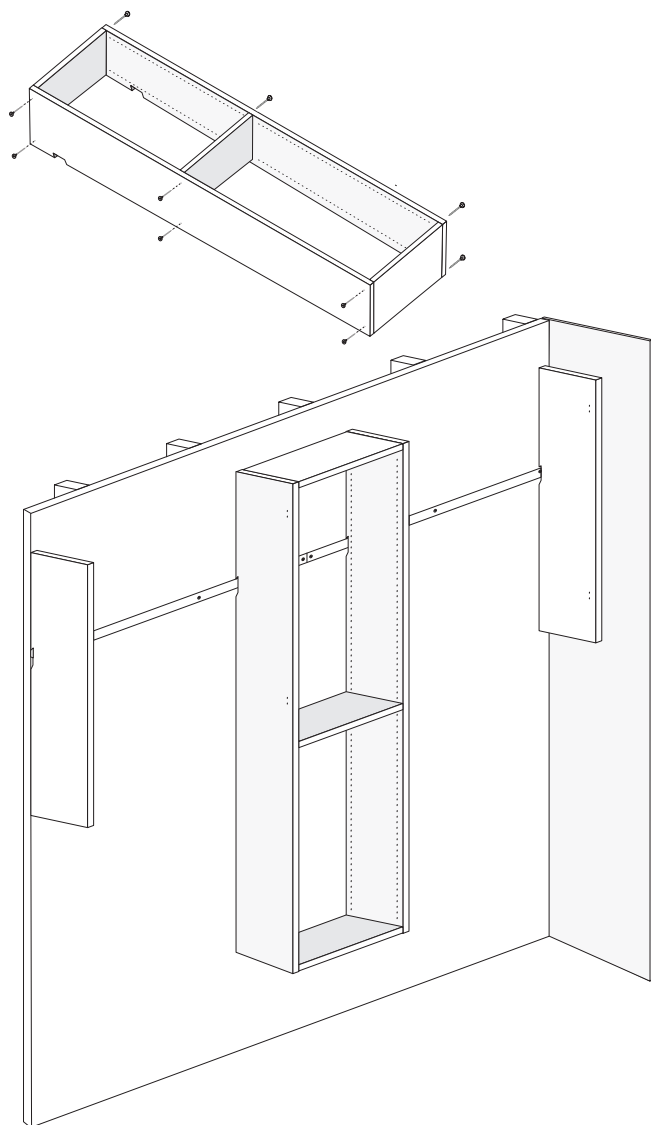


Step Three

Create the center tower. Start by placing the left and right tall panels (**Part B**) on the floor. With the notches facing the floor, attach the three shelves (**Part D**) to the center panels using bolts (**Part J**). Make sure the edgebanded edge of the shelves are facing up (to the front of your tower).

Make sure the 32mm drilled holes on the tall panels (**Part B**) are facing to the inside (see diagram).

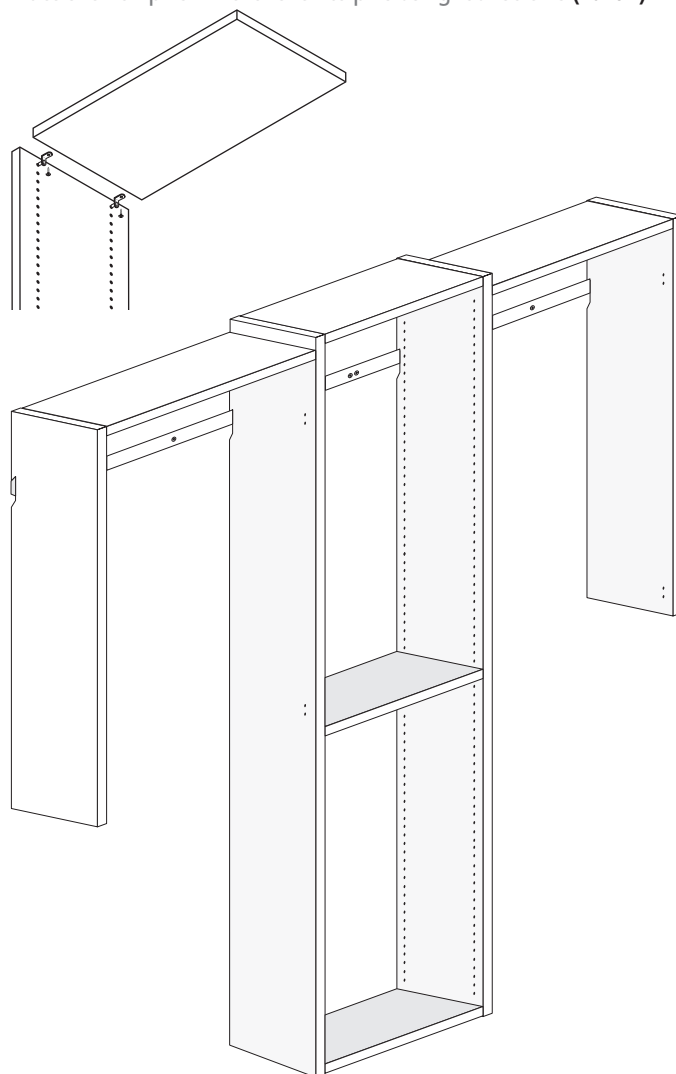
After assembly, carefully lift and place on the cleat.



Step Four

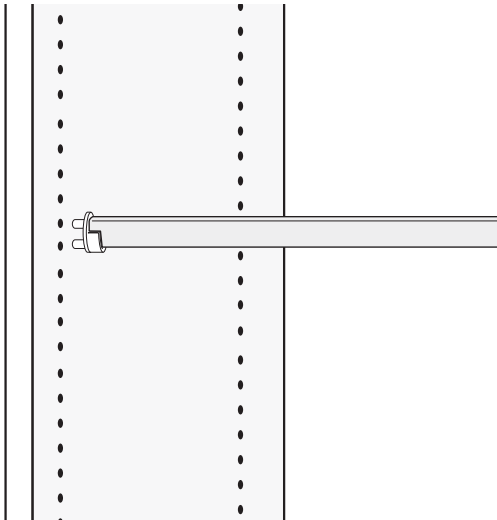
Install the top shelves. One shelf (and one set of closet rods) can be cut to 42" wide to minimize cuts. Decide which direction that will be and position the tower 42" from the side wall. Place shelf anchor pins (**Part K**) in the top two holes of the side panel and the outside of the tower. Verify that the opening is 42" wide. Place shelf (**Part E**) on pins. Anchor shelf to pins using four wood screws (**Part L**). Note: above numbers can be altered depending on the width of your closet.

On the opposite side, measure the remaining opening. Cut the other shelf (**Part E**) to match the opening. Place shelf anchor pins (**Part K**) in the top two holes of the side panel and the outside of the tower. Place shelf on pins. Anchor shelf to pins using four screws (**Part L**).



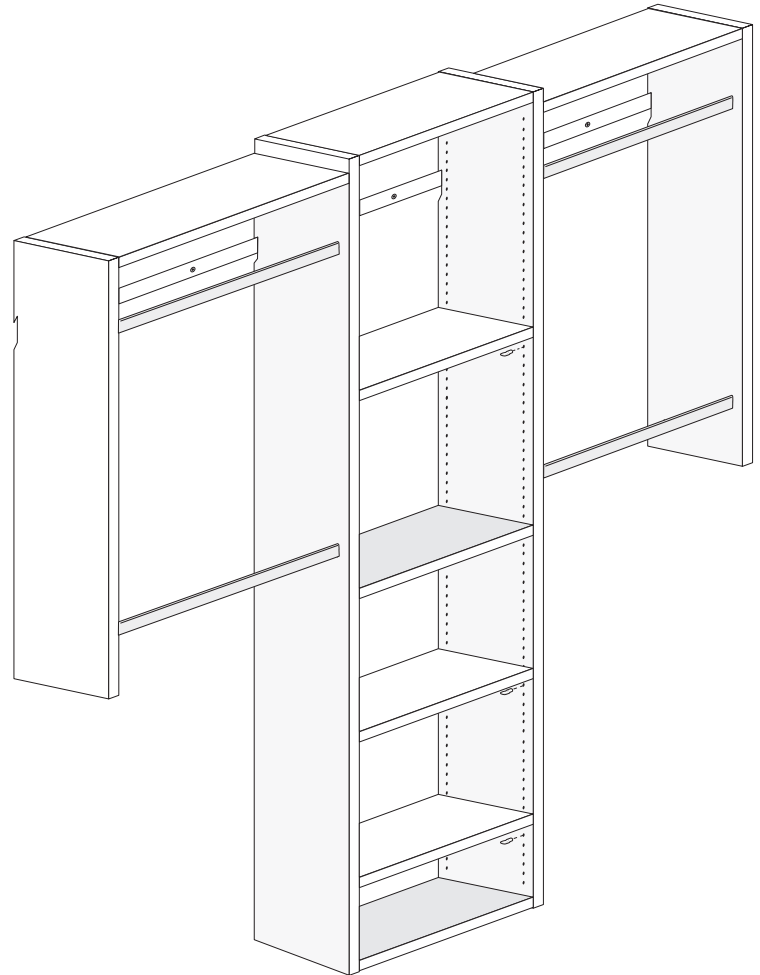
Step Five

Install the closet rods. Place four closet rod holders (Part N) in the pre-drilled holes on the side and tower panels. Insert two 42" closet rods (Part G) in holders. On the opposite side, insert four closet rod holders (Part N). Deduct $\frac{1}{4}$ " from the length of your shelf on this side and cut the two remaining 42" closet rods (Part G) to that length using your hacksaw. Insert your cut-to-length closet rods into the holders. Note: These lengths will depend on how you cut the top shelves in the previous steps.



Step Six

Install the adjustable shelves. Place the adjustable shelves (Part F) into your tower. Using the shelf pins (Part M), place three shelves in your desired locations.



**Congratulations on your
new closet!**

**Let's
Get
Started**



Shown with optional drawer unit

Installation Guide

